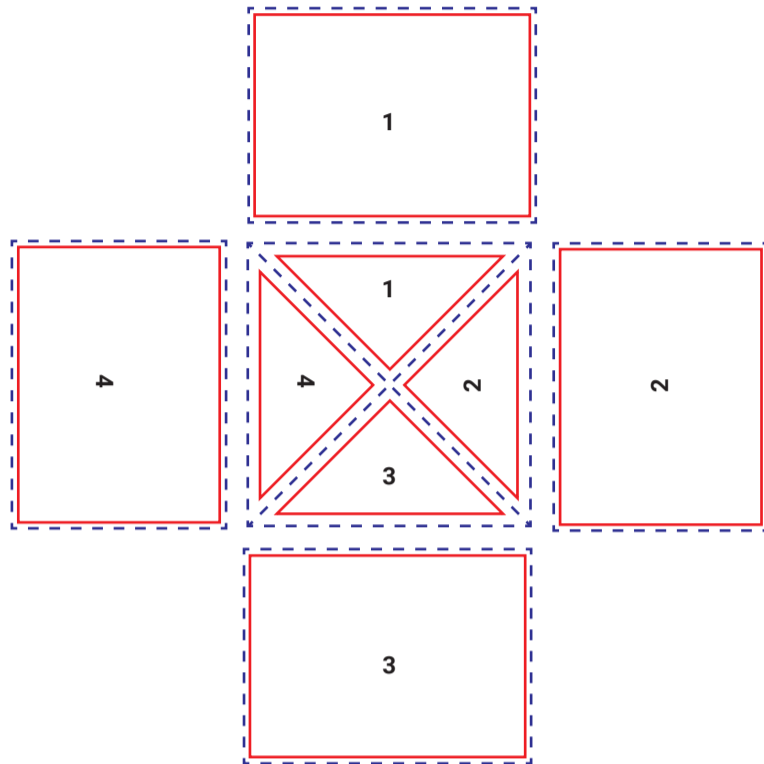


Eventtält 3x3



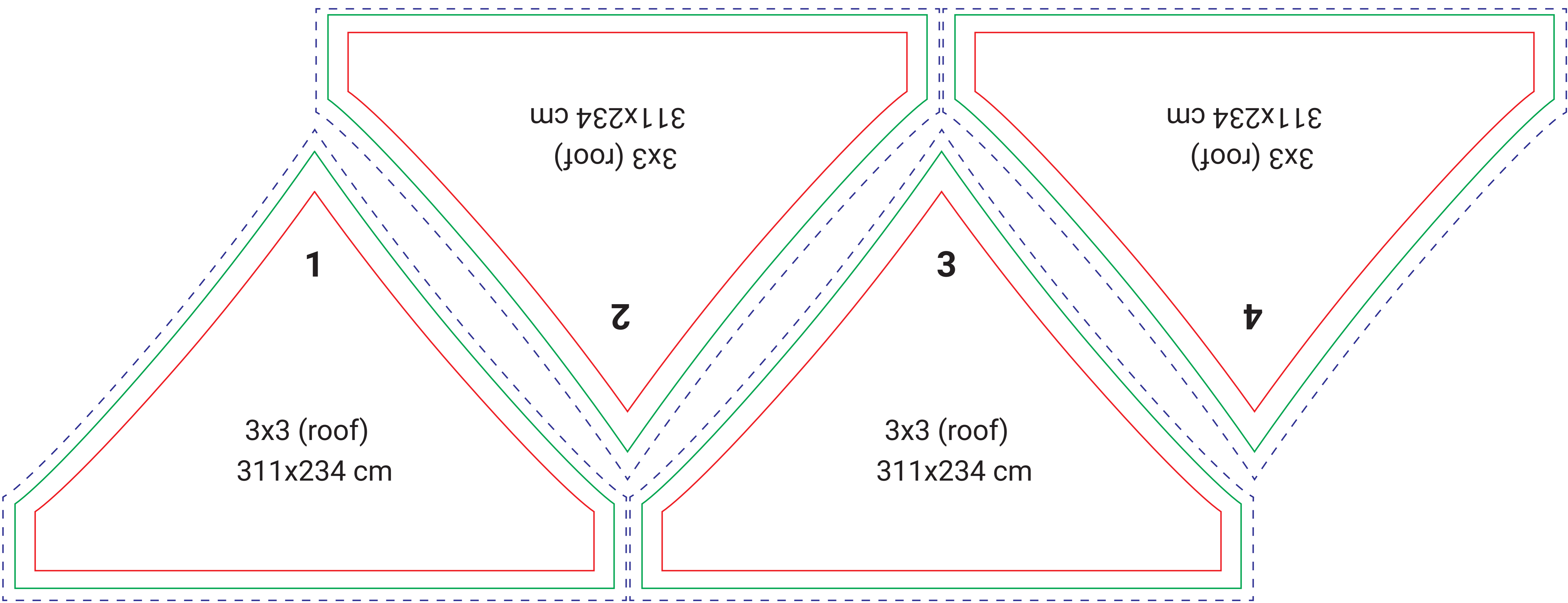
graphic files have to be prepared:

- 1:1 scale
- format TIFF(LZW)
- flattened(no layers)
- DPI 120 ppi
- CMYK
- no bleeds
- no print marks
- delete all cutout lines
- no overprint attribute
- check secure area

FILE NAMES SHOULD LOOK LIKE:

SYSTEM NAME_FRONT/BACK_DIMENSIONS.tiff

- Guidelines contains: **project line**, **shape line** and **secure line**. All major elements should be inside **secure line**, but background and graphic should fill **project line**.



1

3x3 (door)
315x235 cm

2

3x3 (door)
315x235 cm

3

3x3 (door)
315x235 cm

4

3x3 (door)
315x235 cm